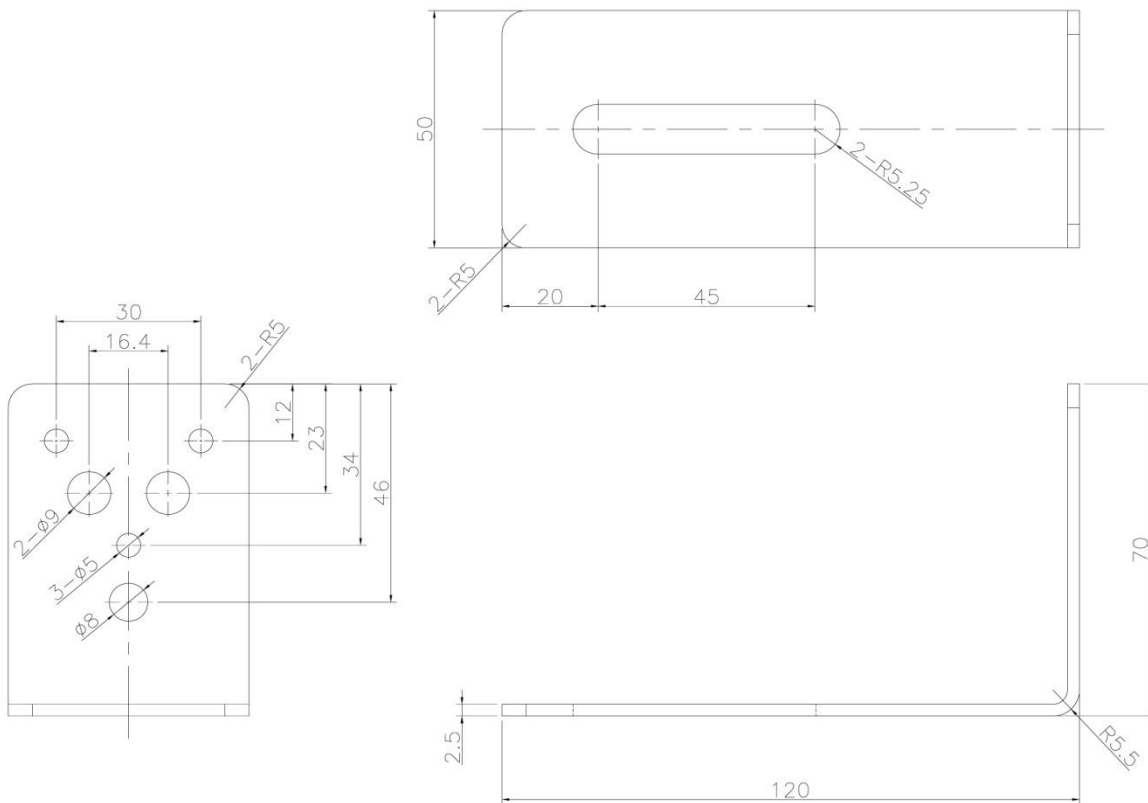


TECHNICAL INFORMATION

Heavy Duty Stainless Steel Mounting Bracket. "L" Shape (Product Number: B005)

1. Feature: Stainless Steel, Adjustable Installation Length, Heavy Duty,
2. Drawing:



3. How to use:

1. Beam Clamping with C Shape Clamp

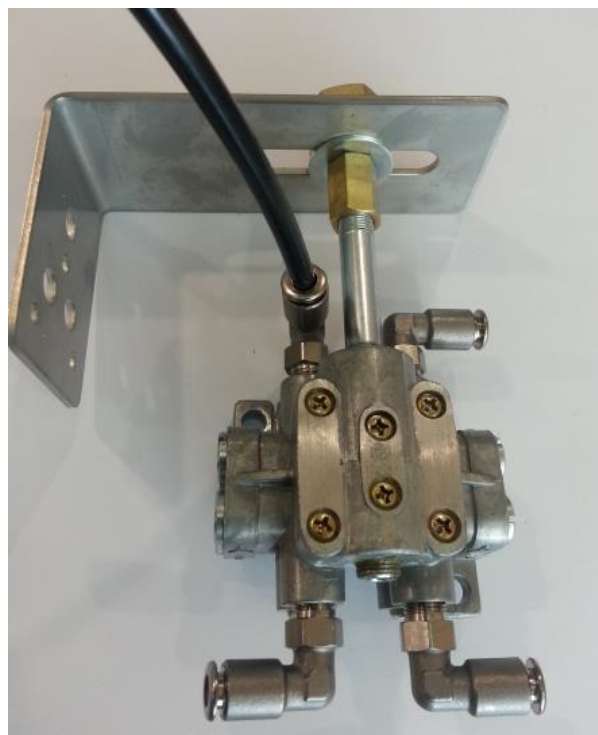


TECHNICAL INFORMATION

2. Clamping with Oil Distributors



3. Clamping with Grease Distribution Block



TECHNICAL INFORMATION

4. Clamping with Oil Brush



5. Clamping with Copper Tube or Nylon Tube

